

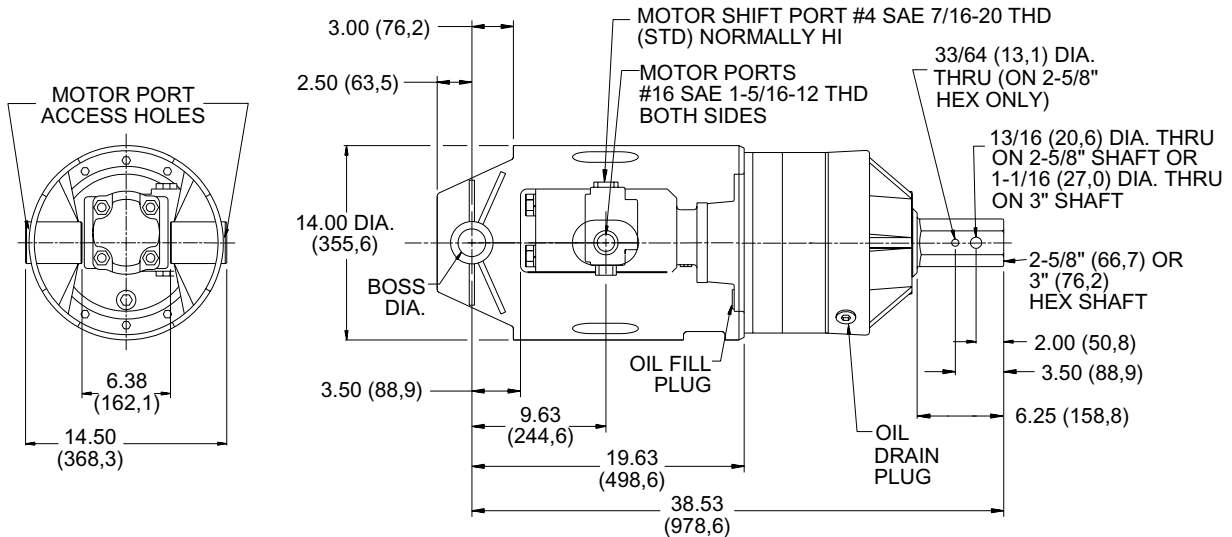


75 Series DiggerDrive™

4,300 TO 20,000 FT-LB TORQUE (Two Speed)
Data Sheet 7075

The series 75 “Hydrasync” uses a high efficiency double planetary for high torque requirements, like foundation anchor installation and drilling larger holes for piers. The 75 can provide a cost saving alternative to other single purpose equipment.

- Now available with automatic “Kickdown” (when operations require it) shifts to low speed high torque position while you keep on digging.



TWO SPEED SHIFT-ON-THE-FLY OR OPTIONAL SINGLE SPEED
HEAVY DUTY, HIGH EFFICIENCY, DOUBLE PLANETARY DRIVE
SHAFT SIDE LOADING NOT RECOMMENDED

TECHNICAL SPECIFICATIONS

MOTOR MOUNT: SAE "C" 2-BOLT AND 4-BOLT

MOTORS: 1 & 2-SPEED GEAR TYPE

RATED OUTPUT TORQUES: TO 20,000 ft-lb (27,112 N-m)

MAXIMUM SYSTEM PRESSURE: TO 2,750 psi (189,7 bar)

SHIFTING PRESSURE: 300 psi (20,7 bar) MINIMUM, 2750 psi (189,7 bar) MAXIMUM

MOTOR CASE DRAIN: REQUIRED

OUTPUT SHAFT: 2-5/8" (66,7 mm) OR 3" (76,2 mm) HEX

SHAFT PULL-OUT LOAD: 30,000 lb (13,636 kg)

SHAFT PRESSURE LOAD: 30,000 lb (13,638 kg)

OIL CAPACITY: 10 pt (4,76 l)

BAIL BOSS DIAMETER: 1.51" (38,35 mm) OR 2.01" (51,05 mm)

WEIGHT: 510 lb (231,8 kg)

* *Maximum intermittent value.*

Performance Data

MODEL	GEAR RATIO	MOTOR	MOTOR PRESSURE	FLOW gpm (1/min)	RATED TORQUE/SPEED	
		ORDER OPTION NUMBER	Δpsi (Δbar)		HIGH SPEED	LOW SPEED
75-51	51:1	25/60	2,400	40 (152)	4,300 ft/lb-42rpm	13,800 ft/lb-16rpm
		34	2,400 (166)	40 (152)	--	17,000 ft/lb-13rpm
		45/61	2,400 (166)	40 (152)	7,200 ft/lb-25rpm	17,300 ft/lb-13rpm
		53/61	2,750 (190)	40 (152)	8,200 ft/lb-25rpm	20,000 ft/lb-13rpm

NOTES:

** Maximum intermittent value.*

- STARTING TORQUES ARE APPROXIMATELY 25% LESS THAN RUNNING TORQUES.
- SYSTEM BACK PRESSURE WILL REDUCE THE RUNNING TORQUES PROPORTIONALLY.
- BACK PRESSURE SHOULD BE LIMITED TO 100 psi (6,9 bar).
- 3" (76,2 mm) HEX SHAFT REQUIRED ON UNITS DEVELOPING TORQUES ABOVE 15,000 ft-lb. (20334 N-m).
- HIGH ALLOY HEAT TREATED BAIL BOSS PINS REQUIRED (CUSTOMER PROVIDED).

Ordering Information

